

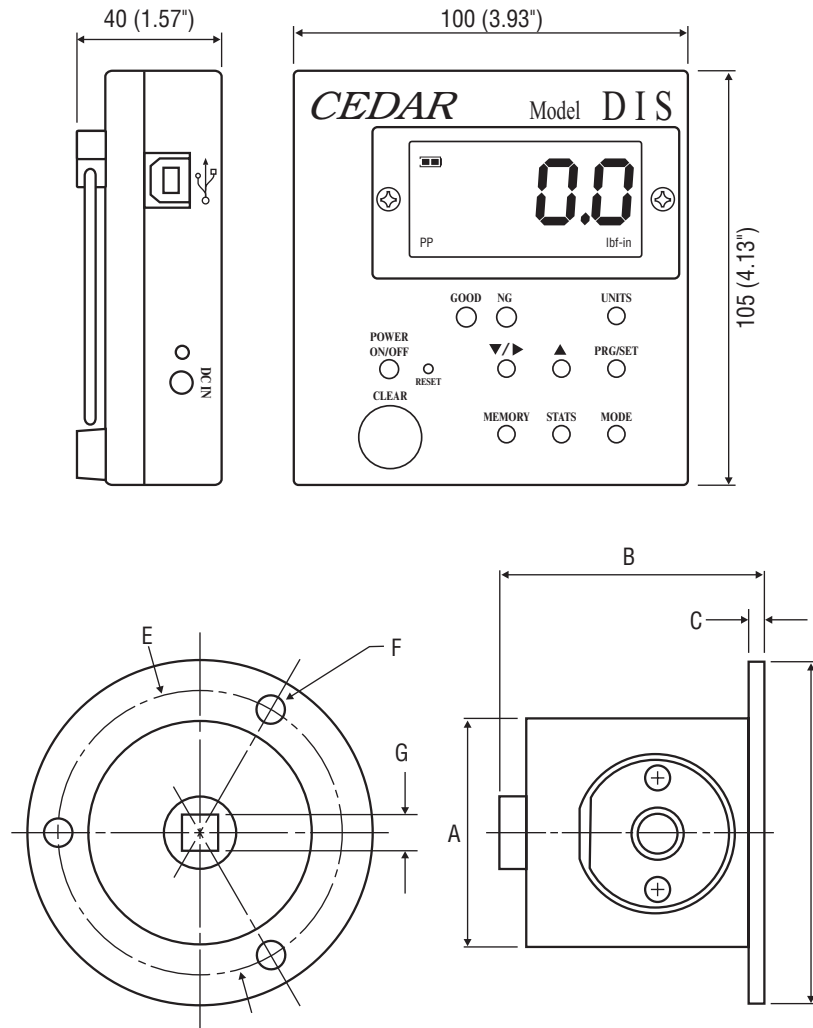


FORCE & TORQUE MEASUREMENT
ISO 9001 & ISO/IEC 17025 ACCREDITED

IMADA, Inc.®

3100 Dundee Rd., Suite 707, Northbrook, IL 60062
Tel: 847-562-0834 Fax: 847-562-0839
www.imada.com E-mail: imada@imada.com

Model DIS-IP



	A	B	C	D	E	F	G
DIS-IP5	Ø40 (1.57")	40 (1.57")	5 (.20")	Ø60 (2.36")	Ø50 (1.97")	Ø4.5 (.18")	6.35 (1/4" Female Drive)
DIS-IP50	Ø50 (1.97")	63 (2.48")	10 (.39")	Ø90 (3.54")	Ø74 (2.91")	Ø6.5 (.26")	9.5 (3/8" Female Drive)
DIS-IP200	Ø60 (2.36")	72 (2.83")	10 (.39")	Ø110 (4.33")	Ø90 (3.54")	Ø8.3 (.32")	12.7 (1/2" Female Drive)
DIS-IP500	Ø80 (3.15")	99 (3.89")	15.5 (.61")	Ø140 (5.51")	Ø116 (4.57")	Ø10.5 (.41")	19 (3/4" Female Drive)