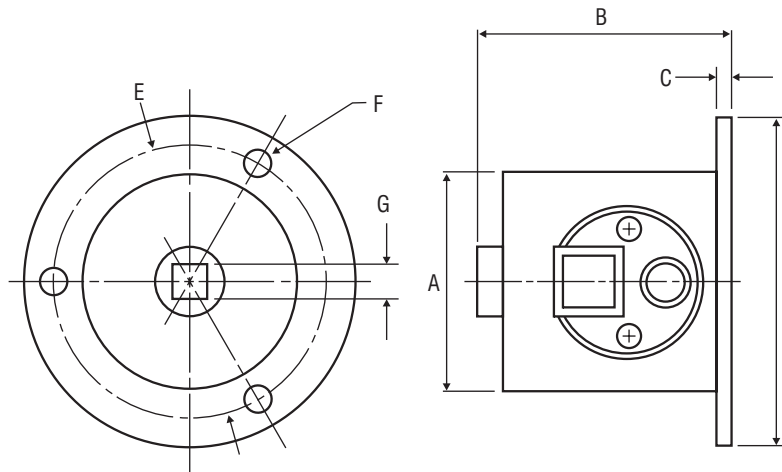
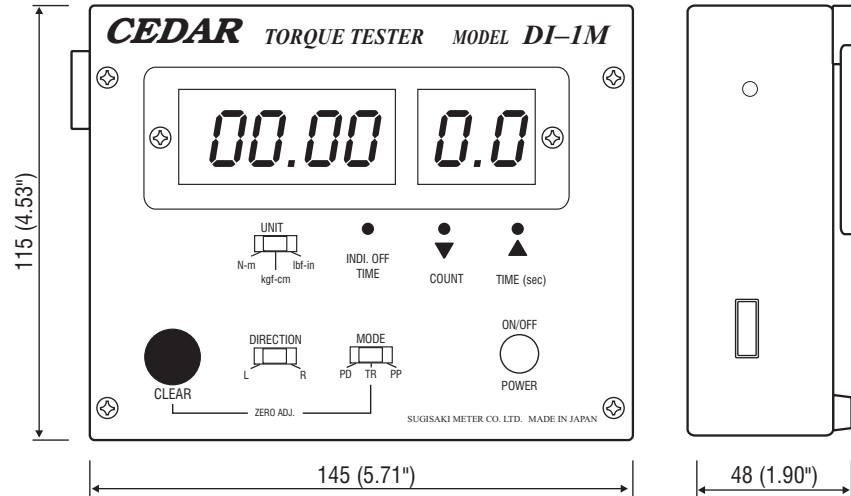


## Model DI-1M



Model	A	B	C	D	E	F	G
DI-1M-50	Ø50 (1.97")	63 (2.48")	10 (.39")	Ø90 (3.54")	Ø76 (2.99")	Ø6.5 (.26")	9.5 (3/8" Female Drive)
DI-1M-200	Ø60 (2.36")	78 (3.07")	15 (.59")	Ø110 (4.33")	Ø90 (3.54")	Ø9.0 (.35")	12.7 (1/2" Female Drive)
DI-1M-500	Ø80 (3.15")	103 (4.06")	20 (.79")	Ø140 (5.51")	Ø116 (4.57")	Ø10.5 (.41")	19 (3/4" Female Drive)